

This drawing is © Copyright of Etex Group. It must not be reproduced or altered in any part. This information is supplied in good faith but no liability can be accepted for any loss or damage resulting from use. Cedral and logos are trademarks of Etex NV or an affiliate thereof. Any use without authorisation is strictly prohibited and may violate trademark laws.

Drawing Title - Slate Vent
LR Breather Membrane Counter Battened

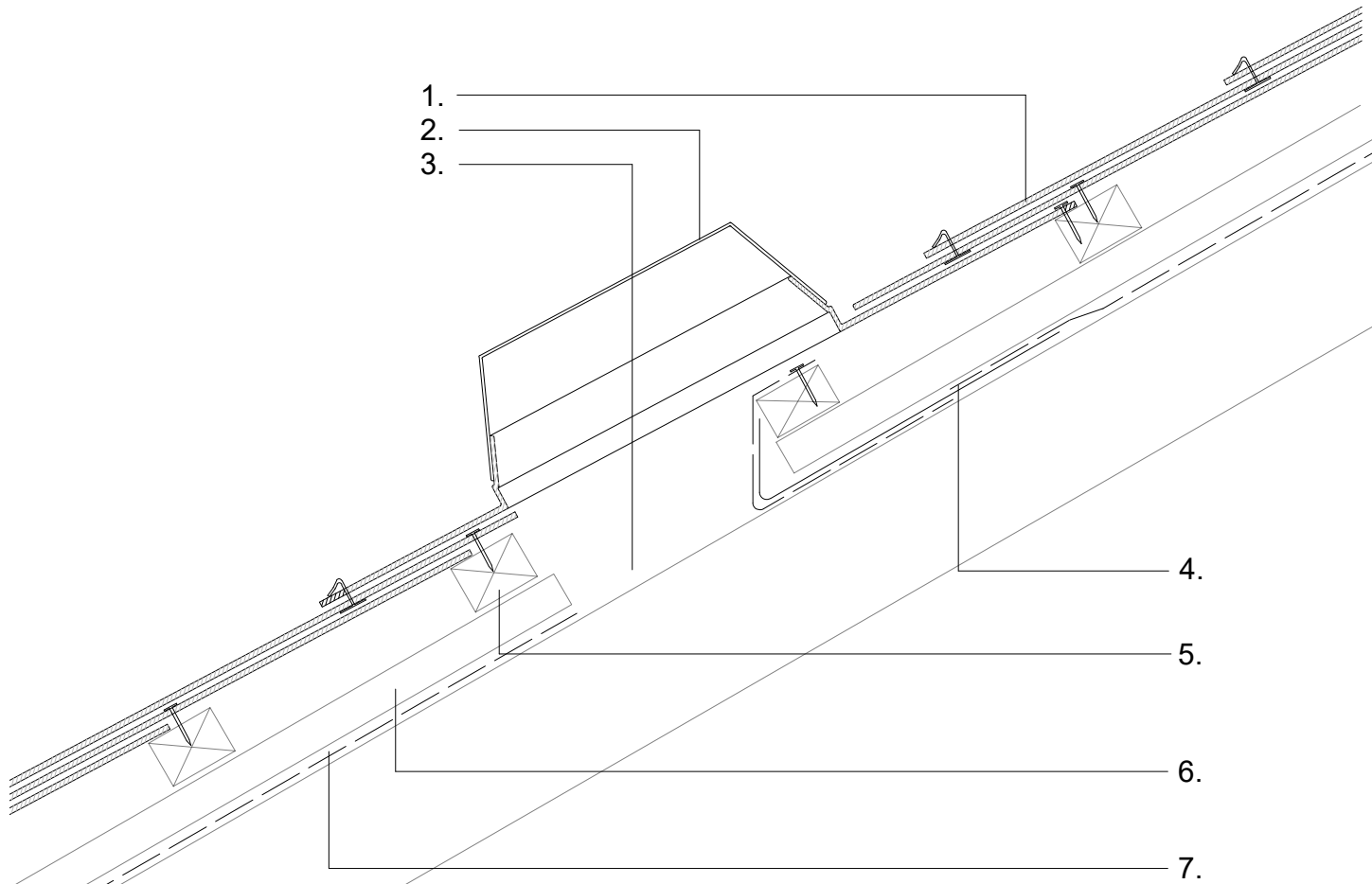
Breather membranes (Low Resistent) Must be counter battened as per requirements of BS 5250:2011, See BS 5534, S.R. 82:2017 for best code of practice

Cedral Slates - With (LR) Breather Membrane

Rev. ...

Notes and Specifications

1. Cedral Fibre Cement slates
2. Cedral CV5 slate vent
3. "V" shape hole cut in underlay and return back over batten
4. Cedral Felt Weir Ref: TFW1
5. Slating battens
6. Counterbatten
7. Underlay



For further information, please contact;
 Website: www.cedral.world
 Email: support.ireland@etexgroup.com
 Tel: +.353 (059) 8631316.
 Etex Ireland Ltd. Kilkenny Road, Athy, Ireland R14 VN84.